

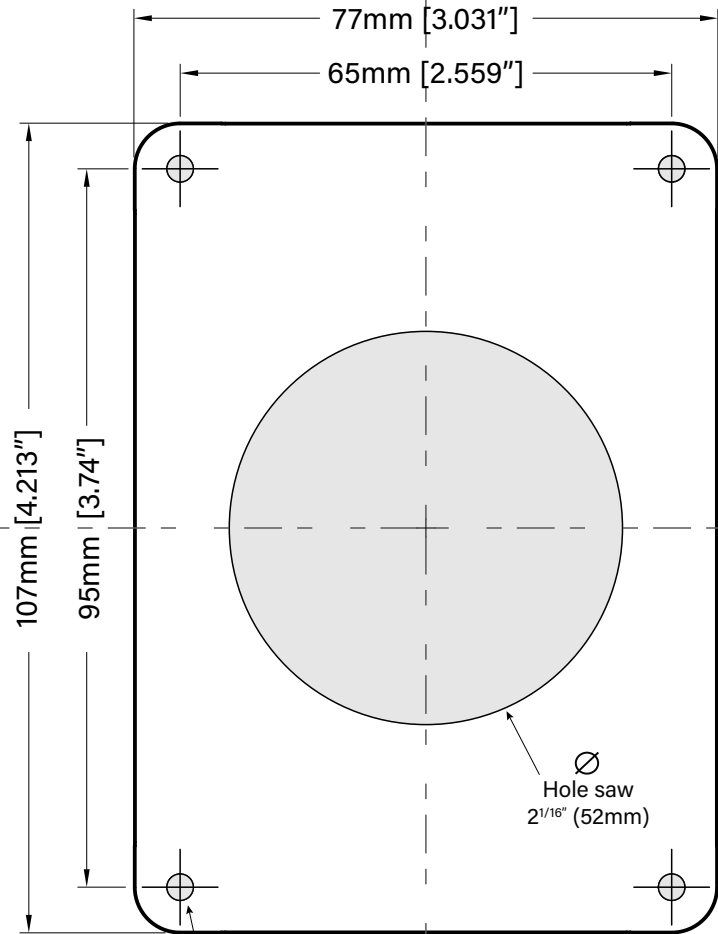
Mounting template



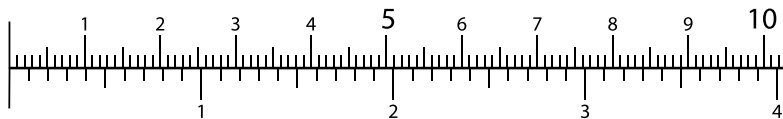
ORIENTATE UPWARD FOR
PORTRAIT KEYPAD



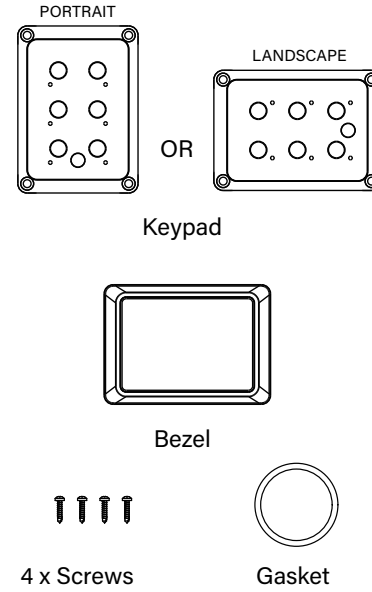
ORIENTATE UPWARD FOR
LANDSCAPE KEYPAD



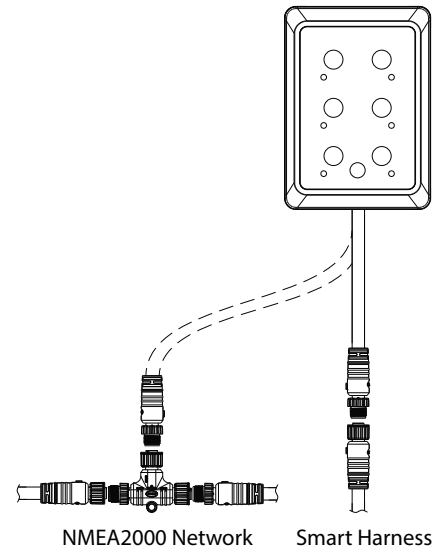
Please check scale before using



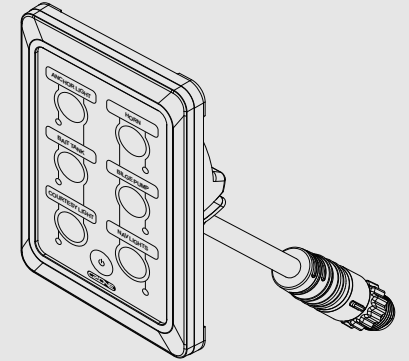
Parts in the box



Wiring

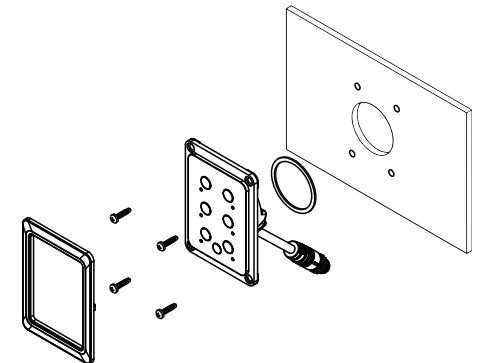


Installation Guide



Waterproof Keypad

Installation



1. Drill dash cutout
2. Set dipswitch
3. Install keypad with gasket
4. Screw keypad to dash
5. Install bezel
6. Connect network cable